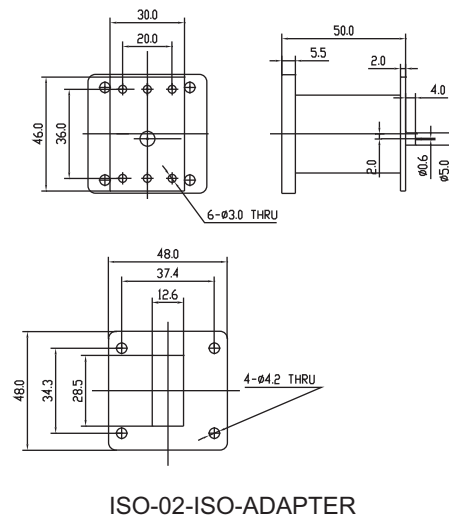
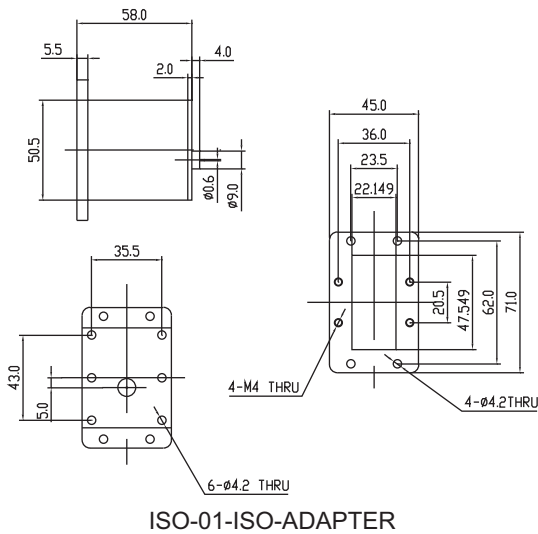


- Broad Selection of Frequency and Bandwidth (4.4Ghz-120Ghz, from 3% to Full Bandwidth)
- Military, Space and Commercial Applications
- High Power Design
- High Isolation, Low Insertion Loss
- Wide Operation Temperature Range
- Custom Design Available Upon Request

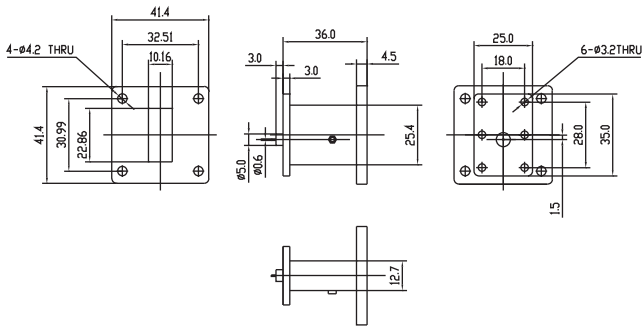


ISO-ADAPTER

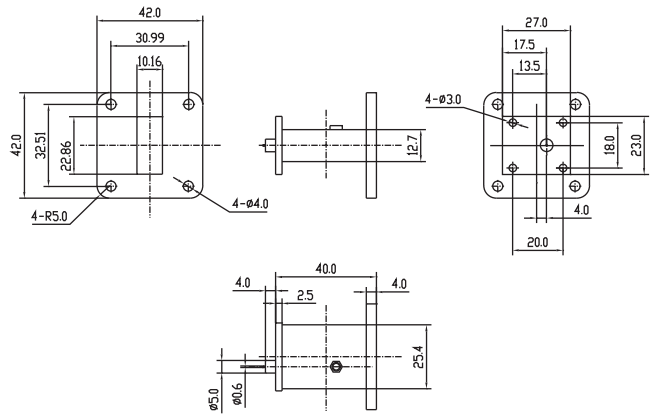
FREQUENCY (GHz)		MODEL	BANDWIDTH	ISOLATION		INS LOSS	VSWR	SIZE L*W*H	CONNECTOR	WAVEGUIDE	PACKAGE
F1	F2	NUMBER	UP TO (MHz)	(dB) MIN	(dB) MAX	MAX	MAX	(mm)	TYPE	TYPE	CODE
4.400	5.000	JISO187-C58	500	25	0.30	1.20		58*45*71	SMA	WR187	ISO-01
4.400	5.000	JISO187-88RC9	100	30	0.30	1.10	88.9*60.7*70.8	REMOVABLE SMA	WR187	ISO-09	
			500	25	0.30	1.15					
7.200	8.500	JISO112-C50	300	25	0.30	1.15		50*48*48	SMA	WR112	ISO-02
8.800	9.700	JISO90-C36	900	25	0.30	1.20		36*42*42	SMA	WR90	ISO-03
8.000	9.700	JISO90-C40	900	25	0.30	1.20		40*42*42	SMA	WR90	ISO-04
10.700	12.800	JISO75-C30D2	FULL	22	0.40	1.20		30.2*38*38	SMA	WR75	ISO-05
12.700	14.500	JISO75-C36	800	25	0.30	1.20		36*38*38	SMA	WR75	ISO-06
			100	30	0.30	1.10	49*25*33	SMA	WR62	ISO-07	
12.400	18.000	JISO62-C49	500	25	0.30	1.15					
12.400	18.000	JISO62-C26	FULL	25	0.30	1.20		26*37*33	SMA	WR62	ISO-08



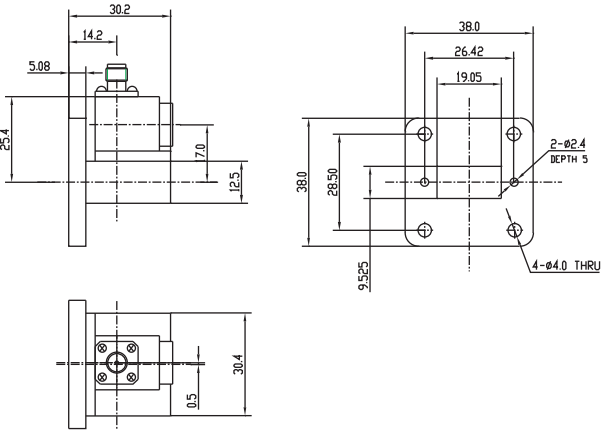
ISO-ADAPTER



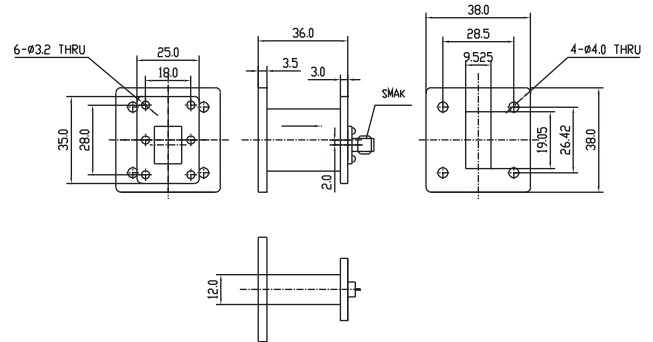
ISO-03-ISO-ADAPTER



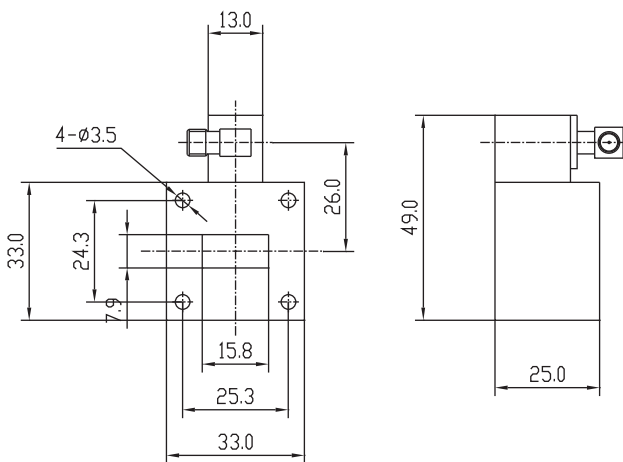
ISO-04-ISO-ADAPTER



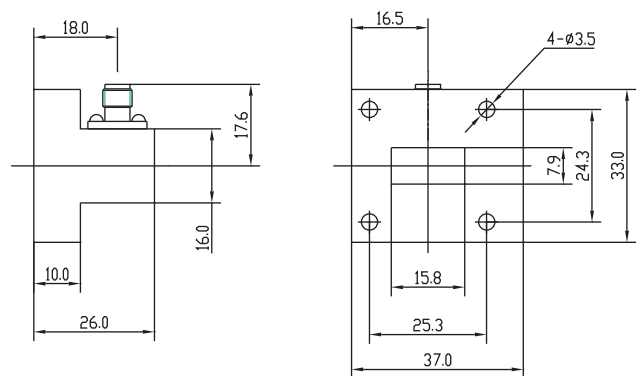
ISO-05-ISO-ADAPTER



ISO-06-ISO-ADAPTER

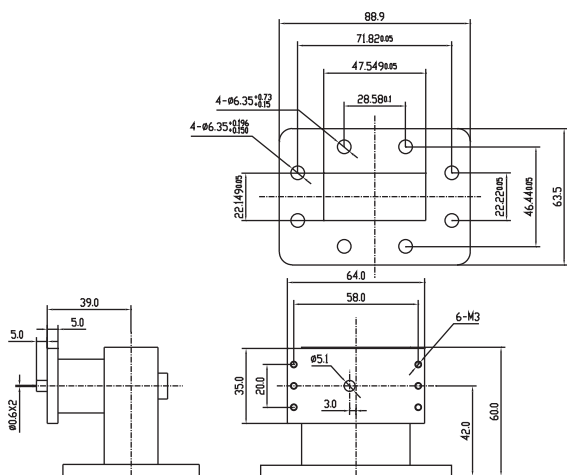


ISO-07-ISO-ADAPTER



ISO-08-ISO-ADAPTER





ISO-09-ISO-ADAPTER