



Wei Bo Associates HK, Ltd Advanced Marketing Material



Wei Bo Associates HK Limited

Wei Bo Associates Development Road Map

- Enclosed are active development projects.
- The target specifications are listed on each slide.
- If you have interest or suggestions to improve the target specification, please contact us.
- Custom Developments Welcomed.



MSW2T-2735-196/-197 - S Band SP2T 57 dBm Switch Module

- SP2T SMT PIN Diode Switch
- Target Specifications
 - Frequency Band: 2.7 GHz – 3.5 GHz
 - Power Handling: 57 dBm (CW) & 60 dBm (Peak)
 - Package: 9mm x 6mm x 2.5mm
 - IL: <0.5 dB
 - RL: >13 dB
 - ISO: >40 dB
 - Switch Time: < 700 nsec
 - Switch Biasing Voltages: +5V & +45V

Target Application: Radar T/R module, Mil-Com market segment

Sampling: Q4/2016



Wei Bo Associates HK Limited

RF Switch-Limiter Module

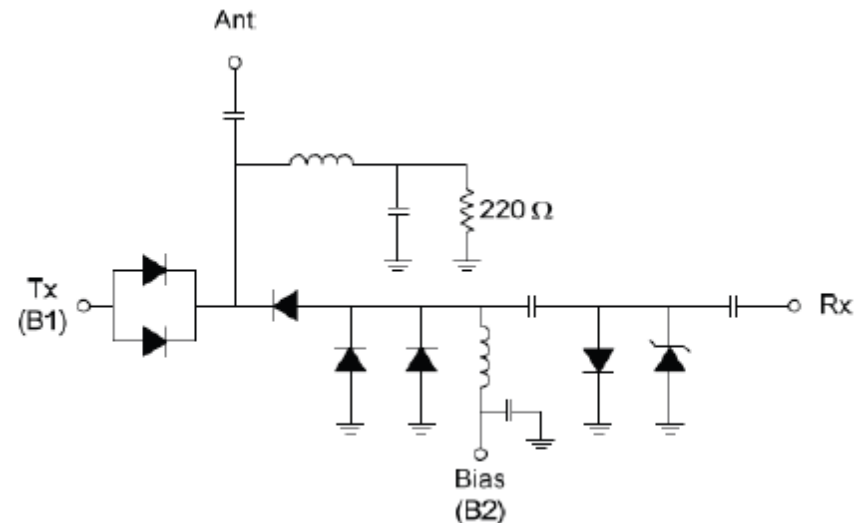
S-Band Switch Limiter Module

Features:

- Surface Mount S- Band Switch Limiter Module – 5mm x 8mm x 2.5mm
- Frequency Range: 2 to 4 GHz
- Higher Average Power Handling than Plastic Packages - > 125W (CW)
- High Voltage Rating (>500V) Enabling Superior RF Peak Power Handling
- Low Insertion Loss (<0.85 dB)
- Low VSWR: 1.6 : 1
- Low Flat Leakage: < 13 dBm (typ)
- Low Spike Leakage: ~0.1 ergs (typ)
- Fast Recovery Time: < 700 nsec (typ)
- Operates from 5V, 30V, and -5V Supplies
- RoHS Compliant

Applications:

- Radar T/R Modules: S- Band
- Receiver Protectors: S-Band



Sampling: Q4/2016

SP5T 30 MHz - 2.5 GHz PIN Diode Switch

- SP5T PIN Diode Switch
- Target Specifications
 - Frequency Band: 30 MHz – 2.5 GHz
 - Power Handling: 50 dBm (CW) & 53 dBm (Peak)
 - Package: 12mm x 12mm x 2.5mm
 - IL: <0.7 dB
 - RL: >12 dB
 - ISO: >23 dB
 - 2nd Harmonic: < -80 dBc
 - Switch Time: < 2 usec
 - Switch Biasing Voltages: TBD

Target Application: Mil-Com or PMR market segment

Advanced Marketing
Data



Wei Bo Associates HK Limited

X Band SP2T Shunt PIN Switch

- Frequency Band: 8.5 GHz – 10.0 GHz
- Power Handling: 53 dBm (Peak)
- Pulse Width: 50 usec
- Duty Cycle: 10%
- Package: Ceramic Drop-In: 0.870" x 0.520"
- IL: < 0.5 dB
- RL: >13 dB
- ISO: >40 dB
- Switch Time: < 700 nsec
- Switch Biasing Voltages: +5V & +50V



Wei Bo Associates HK Limited

Wei Bo Associates HK, Ltd.

- Custom Developments Available.
- Contact us:
 - sales@weiboassociates.com.hk
 - www.weiboassociates.com.hk

